

2 Phase Step Motors & Drives

Part Number	Flange Size of Motor(mm)	Current (A) / Phase	Holding Torque (Nm)	Applicable Driver	Weight (Kg)
KH42JM2 - 913	□ 42	0.5	0.24	CSD02.V	0.26
KH56KM2-913	□ 56	1.0	0.84	CSD02.V	0.65
KH56QM2-913	□ 56	1.0	1.3	CSD02.V	1.0
103H7128-5840	□ 56	3.0	2.0	CSD04.V	1.3
SH2861-5141	□ 86	4.0	3.3	NDC96	1.75
SH2862-5141	□ 86	4.0	6.4	NDC96	2.9
SH2863-5141	□ 86	4.0	9.0	NDC96	4.0
SM2861-5151*	□ 86	4.0	3.3	X Plus B4	1.75
SM2862-5151*	□ 86	4.0	6.4	X Plus B4	2.9
SM2863-5151*	□ 86	4.0	9.0	X Plus B4	4.0
103H89222-5241	□ 106	6.0	13.2	X MIND B6	7.5
103H89223-5241	□ 106	6.0	19.0	X MIND B6	10.5

* CE Rated models

CSD:

- Operating voltage from 24 to 48VDC
- Operation at 400,800,1600, 3200, 6400 & 12800 steps/revolution
- Motor operating range from 2.6A to 4.4 A/Phase.
- Suitable for slow to medium speed application



NDC:

- Operating voltage from 24V to 75VDC
- Operation at 400,800,1600,3200 and 500,1000,2000 & 4000 steps/revolution.
- Motor operating range from 1.9A to 6.0 A/Phase.
- Suitable for medium speed application

ADW 06/06V:

- Operating voltage from 24V to 75VDC
- Speed range : 0.8 rpm to 2000 rpm with 64 internal preset speed.
- Motor operating range from 1.9 to 6.0A/Phase.
- 0-5VDC or 0-10VDC selectable analog command range.



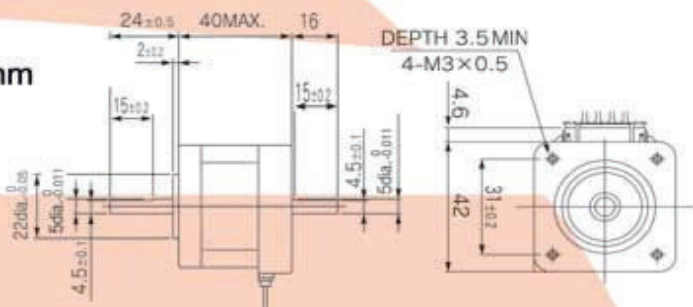
X PLUS B4:

- Direct operation from AC supply ranging from 110V to 230V AC input supply.
- Operation at 400,800,1600,3200 and 500,1000,2000 & 4000 steps/revolution.
- Motor operating range from 2.4A to 4A/Phase.
- Suitable for high speed application

All drives have protection against short circuit at motor outputs, under voltage and over voltage.

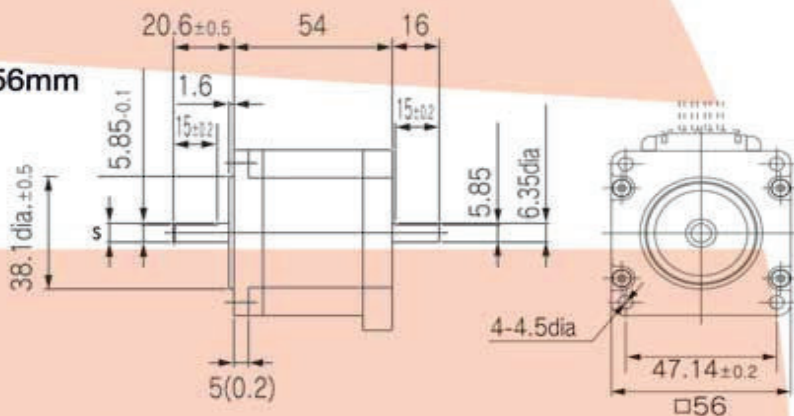
2 Phase Step Motors & Drives

□ 42mm



Model No	L	S
KH42JM2-913	40	5

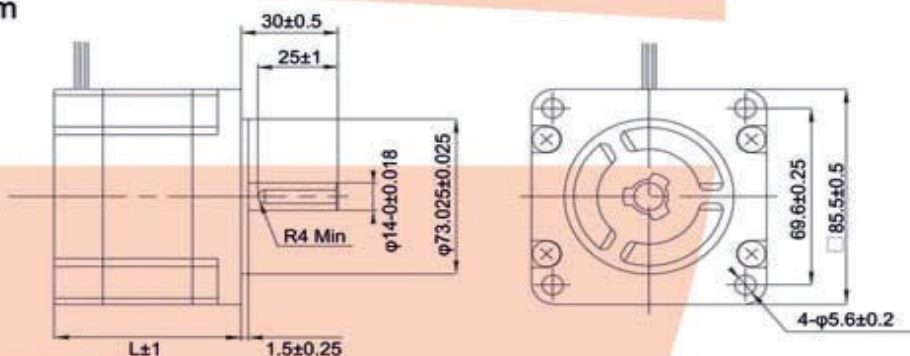
□ 56mm



Model No	L	S
KH56KM2-913	54	6.35
KH56QM2-913	76	6.35
103H7128-5840	94.8	8

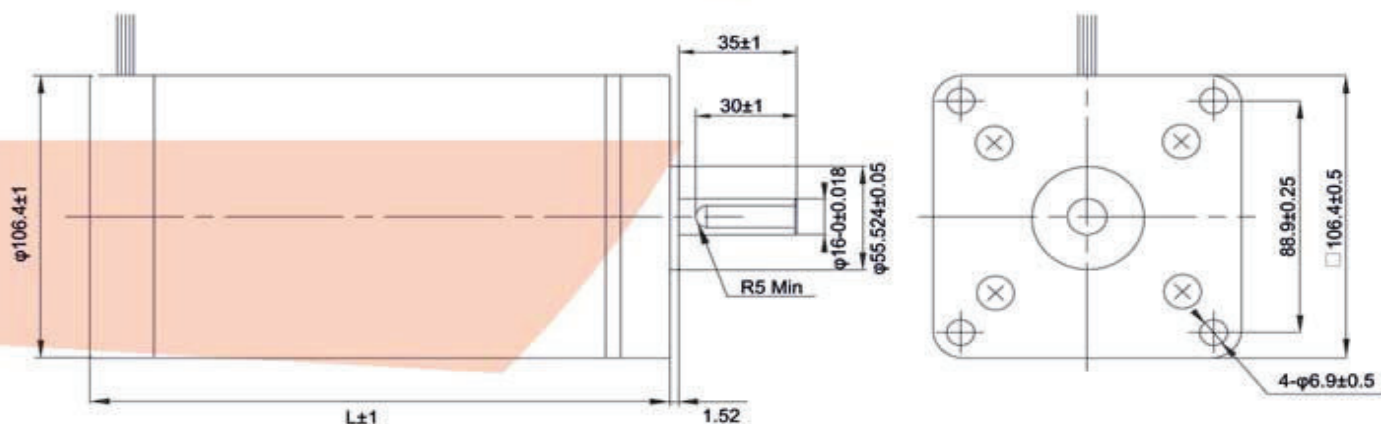
*Only single shaft

□ 86mm



Model No	Length(L)
SH2861-5141	66
SH2862-5141	96.5
SH2863-5141	127
SM2861-5151	66
SM2862-5151	96.5
SM2863-5151	127

□ 106mm



Model No	L
103H89222-5241	163.3
103H89223-5241	221.3