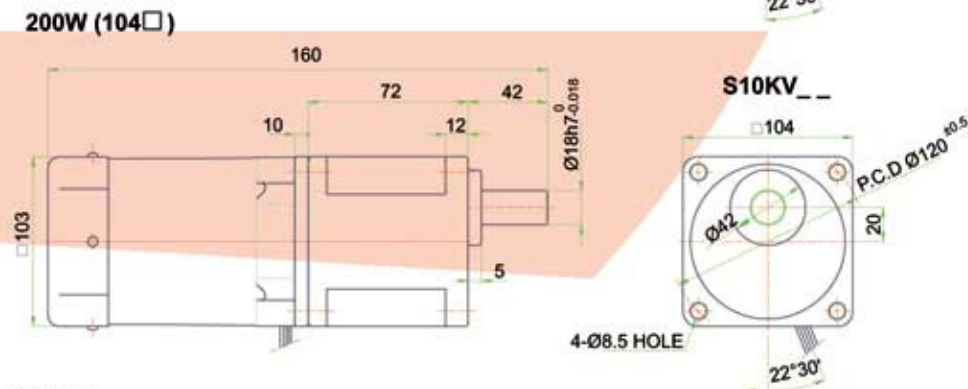
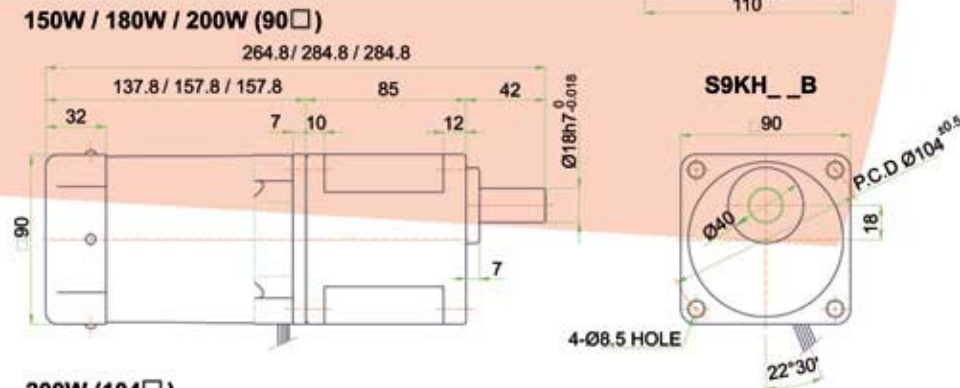
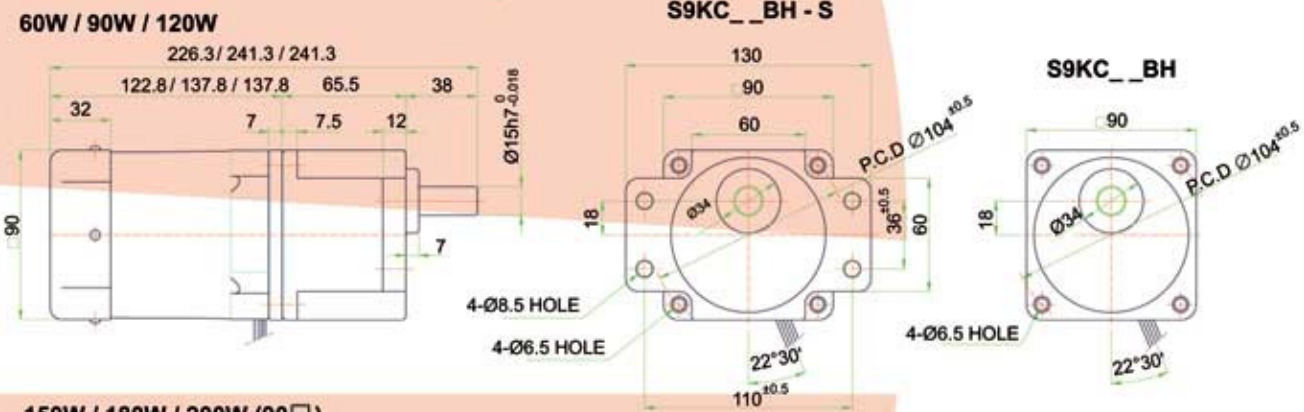
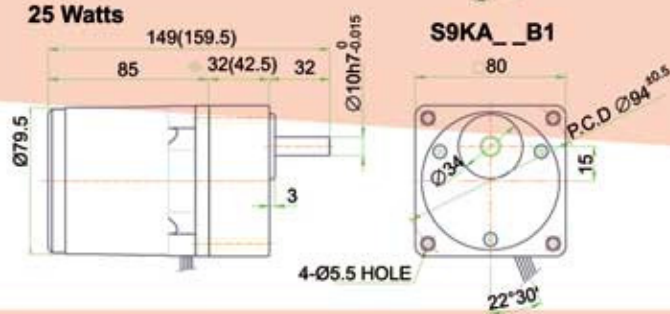
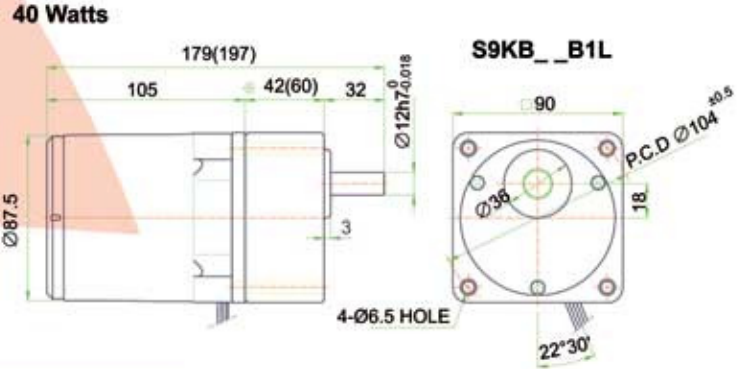
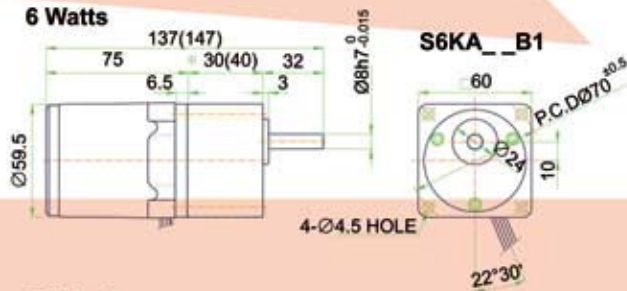


AC Geared Motor



Note :

1. Figures of gearbox in () represented the dimension of 1/20 or larger reduction ratio.
2. 90 mm frame size gear head of S9KB __ BH - S and S9KC __ BH can be used for all 60W, 90W & 120W Motors.
3. 90 mm frame size gear head of S9KH __ B can be used for all 150W, 180W & 200W Motors.